

48002 SURFACE MOUNT HF READER

CAME KMS SURFACE MOUNT VANDAL RESISTANT READER



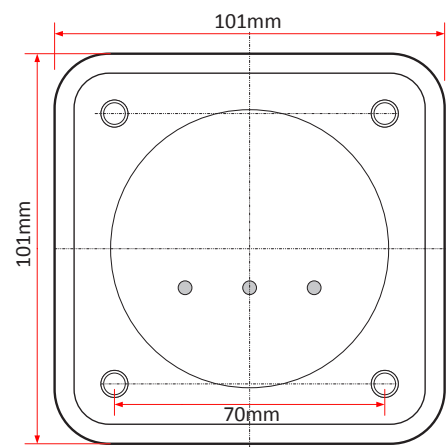
The CAME KMS SimpleKey HF reader provides all the benefits of CAME KMS residential access control, together with additional security via our bespoke HF technology.

- The HF Surface Mount 'Beer mat' reader operates with CAME KMS HF Dual and Mifare Tokens.
- It connects to the CAME KMS Simplekey 4 and Simplekey 3 systems.
- 3 coloured LEDs indicate the door state, either locked or unlocked, and also when the system voltage drops below 10.5V.
- Robust British designed and built readers for UK housing providers and comes with a lifetime guarantee.
- The slim line stainless steel surface enclosure is available where surface mounting is required
- 5 year warranty

TECHNICAL INFORMATION

RFID Reader Frequency	13.56 MHz
RFID Read Range	15-30mm – 20mm typical
Data Format	SIG data
LED	1x Red: door locked (static), low voltage (flashing) 1x Green: fob detected (momentary), Access Authorised (timed) 1x Yellow: incompatible fob detected
Sounder	Piezo Buzzer, 85dBA, Selectable On/Off
Operating Voltage	10.5-14.5VDC (13.8V Nominal)
Power	0.96W Idle, 1.8W Active.
Connections	Pigtail; Cable Assembly: 12V, 0V, Data, LED, Sounder
Material	Polycarbonate (VR reader only external casing – Stainless Steel)
Rating	IP55

DIMENSIONS



SECURITY SCREWDRIVER

A unique, specialist screwdriver, essential for installing your CAME KMS surface mount readers.

- Hardened steel bit (part number 46500)
- Unique screw head design
- Highly resistant to vandalism and un-authorized removal
- Not available to purchase on the common market
- Handle (part number 46501) can be used with Series 99 interchangeable blades



Part no. 46500



Part no. 46501

CAME KMS

1 Marlborough Trading Estate, West Wycombe Road, High Wycombe, Buckinghamshire HP11 2LB
Tel: 01494 531099 Email: ckuk.info@came.com

CAME KMS