

# 48001 PANEL MOUNT HF READER

## CAME KMS PANEL MOUNT READER



Reader shown in situ

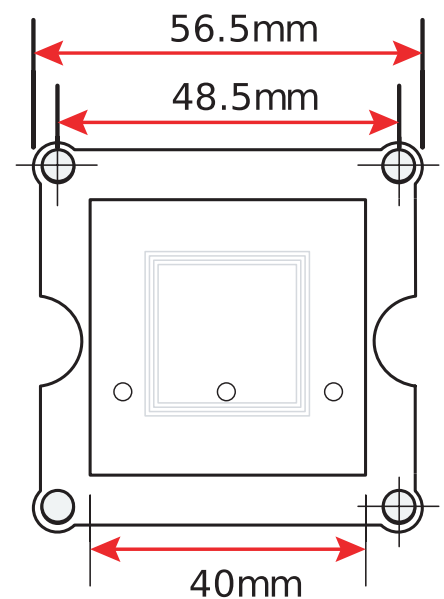
The CAME KMS SimpleKey HF reader provides all the benefits of CAME KMS residential access control, together with additional security via our bespoke HF technology.

- The HF Panel Mount reader operates with CAME KMS HF Dual and HF Mifare Tokens.
- It connects to the CAME KMS Simplekey 4 and Simplekey 3 systems and also operates with other manufacturers' access control systems.
- 3 coloured LEDs indicate the door state, either locked or unlocked, and also when the system voltage drops below 10.5V.
- Robust British designed and built readers for UK housing providers and comes with a lifetime guarantee.
- Designed to be mounted within metal panels, no thicker than 2mm with a 40mm square cut-out for the front of the reader to protrude through.

## TECHNICAL INFORMATION

RFID Reader Frequency	13.56 MHz
RFID Read Range **	15-30mm – 20mm typical
LED	1x Red: door locked (static), low voltage (flashing) 1x Green: fob detected (momentary), Access Authorised (timed) 1x Yellow: incompatible fob detected
Sounder	Piezo Buzzer, 85dBA, Selectable On/Off
Operating Voltage	10.5-14.5VDC (13.8V Nominal)
Power	0.96W Idle, 1.8W Active.
Connections	Pigtail; Cable Assembly: 12V, 0V, Data, LED, Sounder
Material	Polycarbonate (VR reader only external casing – Stainless Steel)

## DIMENSIONS



480011024

## CAME KMS

1 Marlborough Trading Estate, West Wycombe Road, High Wycombe, Buckinghamshire HP11 2LB  
Tel: 01494 531099 Email: ckuk.info@came.com

CAME  KMS