

# 46001 PANEL MOUNT LF READER

## CAME KMS PANEL MOUNT READER



Readers shown in situ

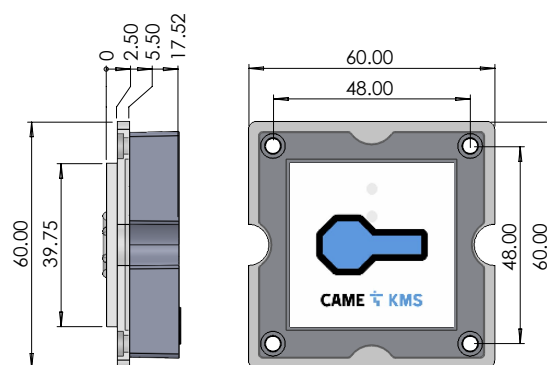
The CAME KMS SimpleKey readers provide all the benefits of CAME KMS residential access control, for use with fobs and other ID devices.

- The Dual-Prox reader works with CAME KMS HF Dual and CAME KMS LF Sharktooth, Entrotag, and most PAC, Stanley & GDX proximity tokens and cards.
- Connects to the CAME KMS Simplekey 4 Reader Interface, CAME KMS Simplekey 3 and the full range of CAME ENTROTEC controllers.
- Dual LEDs indicate the door state, either locked or unlocked, and also when the system voltage drops below 10.5V.
- Robust British designed and built readers for UK housing providers and comes with a 5 year guarantee.
- Designed to be mounted within metal panels, no thicker than 2mm with a 40mm square cut-out for the front of the reader to protrude through.

## TECHNICAL INFORMATION

RFID Reader Frequency	125- 153 KHz
RFID Read Range **	15-30mm – 20mm typical
Data Format	SIG data, 26bit or 32bit Weigand
LED	1x Red: Door locked (static), low voltage (flashing) 1x Green: fob detected access denied (momentary), Access Authorised (timed period)
Sounder	Piezo Buzzer, 85dBA, Selectable On/Off
Operating Voltage	9-18VDC (13.8V Nominal)
Power	0.84W Idle, 0.95W Active
Protection:	short circuit, reversed polarity, SIG to 0v, SIG to 12v
Connections	Pigtail 500mm; Cable Assembly: 12V, 0V, SIG, Weigand D0, Weigand D1, Weigand Format selector, LED, Sounder
Material	ABS & Polycarbonate (VR reader only external casing – Stainless Steel)
Rating	IP55, UV resistant

## DIMENSIONS



## CAME KMS

1 Marlborough Trading Estate, West Wycombe Road, High Wycombe, Buckinghamshire HP11 2LB  
Tel: 01494 531099 Email: ckuk.info@came.com

CAME  KMS