

PRO-VRD-IP-A

High Resolution Vandal Resistant Dome Camera With Varifocal Lens, IP and Analogue Outputs



Overview

- 4 Mega-pixel, 1/3" CMOS image sensor.
- Motorised varifocal lens, 2.7 mm–13.5 mm.
- Excellent low light performance.
- Built-in IR LED, distance up to 40 m.
- Outputs Max. 4MP at 30 fps.
- H.265 high efficiency codec minimises storage and bandwidth requirements.
- Rotation mode, WDR, 3D DNR, HLC, BLC, digital watermarking, for various applications.
- Smart AI detection: Intrusion, perimeter, tripwire.
- Alarm detection: motion detection, tampering, scene changing, SD card errors, network disconnection, IP conflict, illegal access.
- Supports Max. 256GB Micro SD card.
- 12VDC and PoE support.
- IP67, IK10 protection.
- ONVIF compliant, profiles S and G.

VARIFOCAL LENS

This camera features a motorised varifocal lens, making it suitable for a wide range of applications and installations. With a wide range field-of-view, the camera can be zoomed in / out to ensure the target area can be adjusted for the best view.

DUAL OUTPUT

With an IP RJ45 interface with multiple high definition video streams and BNC analogue interface for a standard definition stream, this camera is suitable for door entry applications. The SD can be connected to analogue systems and the IP interface can be connected to an NVR.

AI

With advanced AI algorithms, this camera supports smart functions, such as perimeter protection and smart motion detection with very low false detection rates. AI enhanced technology provides excellent performance in environments with low illumination, providing a clear colourful video.

Functions

SMART CODEC SELECTION - H.265+ H.264+

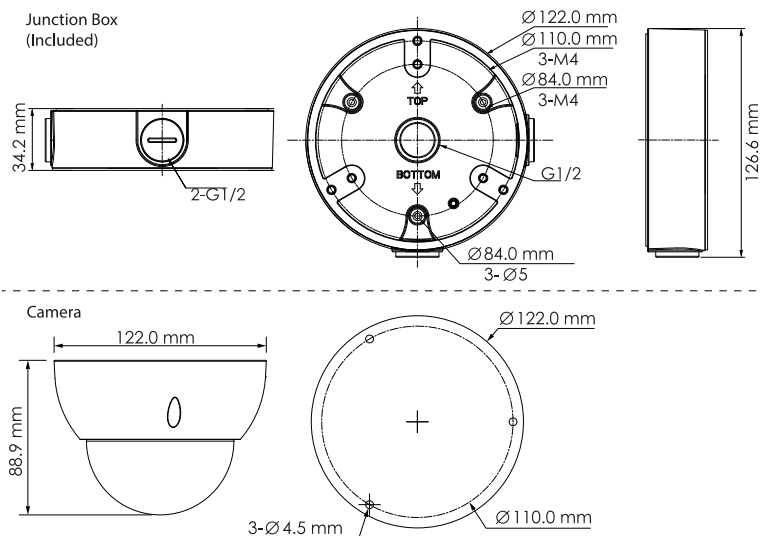
With auto stream control dependant on the environment, the advanced algorithms adapt the codec selection. This provides high-quality video with reduced cost of storage and transmission.

WDR

Advanced Wide Dynamic Range technology provides clear details in the environments with of strong brightness contrast. For example in environments with strong back-light, the camera provides clear detail on darker areas.

PROTECTION

IP67: 'Dust Tight' with no ingress of particles and complete protection against contact. 'All Weather' with protection from powerful water jets and total submersion (up to 1M, 30 mins). IK10: with robust metal enclosure and vandal resistant design, this product achieves the highest classification of impact resistance



Technical characteristics

Camera Specification				Video Specification			
Image Sensor	1/3", 4MP, CMOS, Progressive Scan			Compression	H.265, H.264, H.264H, H.264B, MJPEG		
Effective Pixels	2688 (H) × 1520 (V)			Resolutions	4MP, 3MP, 1080p, 1.3MP, 720p, VGA, CIF		
Lens Type	Motorised Varifocal			WDR	120dB		
Focal Length	2.7mm - 13.5mm			Gain Control	Auto / Manual		
Max Aperture	F1.5			Video Frame Rate	Stream 1: 2688 × 1520@ 1–25/30 fps, Stream 2: 704 × 480@ 25/30 fps, Stream 3: 1280 × 720@ 1–25/30 fps.		
Field of View	Horizontal: 104°–27°, Vertical: 55°–15° Diagonal: 124°–31°			Region of Interest	4 areas		
Iris Type	Fixed aperture			Motion Detection	4 areas		
IR Distance	40 M						
Min. Illumination	0.005 Lux@F1.5			Connectivity			
DORI	Lens	Detect	Observe	Identify	Interface	1x RJ-45 (10/100 Base-T), 1x BNC	
Distance	W	64 M	25.6 M	12.8 M	6.4 M	Power	12VDC, PoE (802.3af), 8.5W
	T	222 M	88.8 M	44.4 M	22.2 M	Interoperability	ONVIF (Profile S / Profile G), CGI