

DOME CAMERA (HDCVI)

High Resolution Vandal Resistant Dome Camera With Varifocal Lens and Switchable Outputs



Overview

- 2 Mega-pixel, 1/2.7" CMOS image sensor.
- SD/HD Switchable Output
- Motorised varifocal lens, 2.7 mm–13.5 mm.
- Excellent low light performance.
- Smart IR LED, distance up to 30 M.
- Outputs Max. 1080P at 30 fps.
- DC12V.
- IP67, IK10 protection.

VARIFOCAL LENS

This camera features a motorised varifocal lens, making it suitable for a wide range of applications and installations. With a wide range field-of-view, the camera can be zoomed in / out to ensure the target area can be adjusted for the best view.

SWITCHABLE OUTPUT

The BNC interface defaults to a standard definition stream, suitable for door entry applications, for example, Apex or Elite systems. The output can also be switched to HDCVI, providing a high-definition stream suitable to be connected to a compatible DVR.

LONG DISTANCE TRANSMISSION

HDCVI technology guarantees real-time transmission at long distance without loss. It supports up to 800m @1080P and 1200m @720P transmission via coaxial cable, and up to 300m @1080P and 450m @720P via UTP cable.

Functions

SMART IR

IR LED array provides excellent lowlight performance. Smart IR technology to ensures brightness uniformity in B/W image under low illumination. Smart IR adjusts the LED intensity to compensate for the distance of an object, and prevents overexposure as the object come closer.

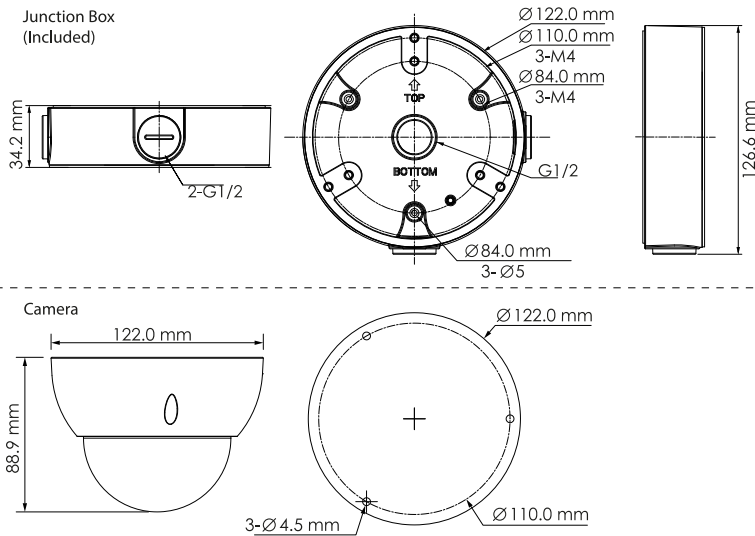
DWDR

Digital Wide Dynamic Range technology provides clear details in the environments with of strong brightness contrast. For example in environments with strong back-light, the camera provides clear detail on darker areas.

PROTECTION

IP67: 'Dust Tight' with no ingress of particles and complete protection against contact. 'All Weather' with protection from powerful water jets and total submersion (up to 1M, 30 mins).

IK10: with robust metal enclosure and vandal resistant design, this product achieves the highest classification of impact resistance.



Technical characteristics

Camera Specification					Video Specification		
Image Sensor	1/2.7", 2MP, CMOS, Progressive Scan				Standards	HDCVI, CVBS, PAL	
Effective Pixels	1920 (H) × 1080 (V)				Resolutions	2MP - 1080p, 1.3MP - 720p, PAL - 575i	
Lens Type	Motorised Varifocal				WDR	DWDR	
Focal Length	2.7mm - 13.5mm				Gain Control	Auto / Manual	
Max Aperture	F1.8				Video Frame Rate	HDCVI: 1920 x 1080 @ 25/30 fps, 1280 x 720 @ 25/30/50/60 fps, CVBS: 576 TVL	
Field of View	Horizontal: 105.9°~33.4°				Day/Night	Auto (ICR) / Manual	
Iris Type	Fixed aperture						
IR Distance	30 M				Connectivity		
Min. Illumination	0.02Lux/F1.8				Interface	1x BNC	
DORI Distance	Lens	Detect	Observe	Recognise	Identify	Power	DC12V, 6.3W
	W	45 M	18 M	9 M	5 M		
	T	132 M	53 M	26 M	13 M		