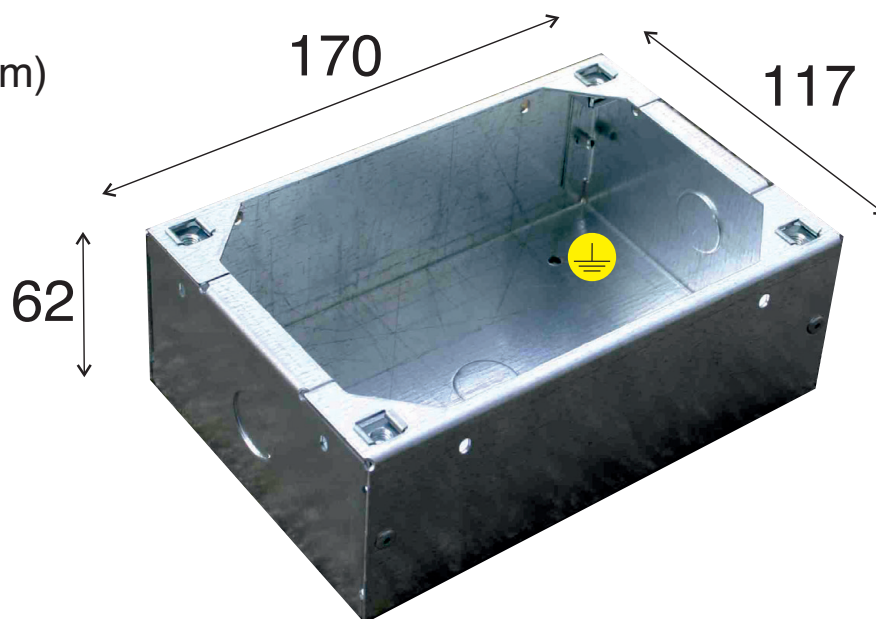


TYPE BBXT220L

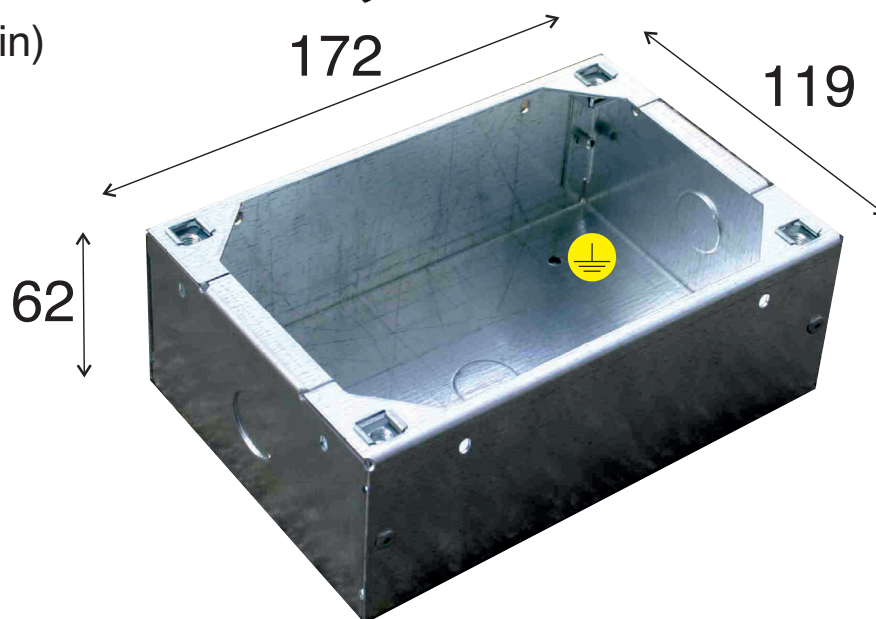
Backbox

Panel Size 154 W x 212 H (mm)

BOX
DIMENSIONS (mm)



CUTOUT
DIMENSIONS (min)



Technical characteristics

Model	BBXT220L
Type	Overlap panel style 212(h) x 154(w)
Material Box	1.2mm Galvanised Steel
Fixings	M5 Cagenuts
Cable Access	Various 20mm Knock Ins
Welding	None
Drain Holes	Yes
Dimensions	170 x 117 x 62
Earth Point	Yes
Rigid Construction	Yes

Accessories

Cage Nut	M5
Allen key tool	OEM43575
Security Screw	SCREW M4 X 25MM CS