



DIGITAL NOTICEBOARD BOARD SOLUTIONS DNB & DNC

SIMPLE, QUICK
AND EFFECTIVE
COMMUNICATION WITH
YOUR RESIDENTS

CAME  **KMS**

[CAME.COM/KMS](https://www.came.com/kms)

MARCH 2023



DIGITAL NOTICE BOARDS: THE MOST EFFECTIVE WAY TO COMMUNICATE IMPORTANT INFORMATION TO YOUR RESIDENTS

CAME KMS digital noticeboard solutions are designed to provide customers with a simple, flexible, and extremely powerful way to communicate information with residents efficiently using a digital platform managed in the cloud.

Our DNBs can provide you with:

- » A highly effective platform to create engaging digital messages to communicate directly with your residents, such as ongoing repairs, maintenance or health and safety notices.
- » Budget-friendly electronic messaging service that can deliver a range of messages quickly and efficiently, that can be managed by multiple departments at once
- » An opportunity to reduce printing costs and provide an eco-friendly approach to communication
- » A communication team that no longer need to make costly and inefficient trips to site to deliver important messages, it can all be managed remotely.
- » A streamlined way of improving access to information for your tenants that can be scheduled with time management profiles to ensure effectively delivery
- » Advertising opportunities to market and promote to residents
- » They can be used in a range of areas, including lobby, reception, study hall, corridor, library or any other communal location

Using **SimpleKey Web**, CAME KMS's user friendly access control cloud platform, users can create and manage the format, style and frequency of important messages they need residents to engage with.

- » Simple to use - no programming or design skills required,
- » Messages can be typed directly into our simple interface and created in seconds - you do not need to import any complicated files
- » Many common graphics formats including JPG and GIFs (still and animated) are supported
- » Can be configured as landscape or portrait
- » Options to use 4G connectivity, or to connect to your own broadband
- » Vandal resistant casings with toughened glass (DNB only)

4G OR IP CONNECTIVITY

USE YOUR OWN BROADBAND OR CHOOSE THE SIMPLICITY OF 4G



Choose from either 4G or IP connectivity options - the choice is yours.

Our 4G data SIM operates as the communication gateway for the SimpleKey Web system and is designed specifically for locations without a local network connection.

Alternatively, if your housing stock already has broadband, simply latch onto your network, and utilise your local internet connection.

VANDAL RESISTANT

HIGH SECURITY CASING WITH DUAL LOCK SYSTEM



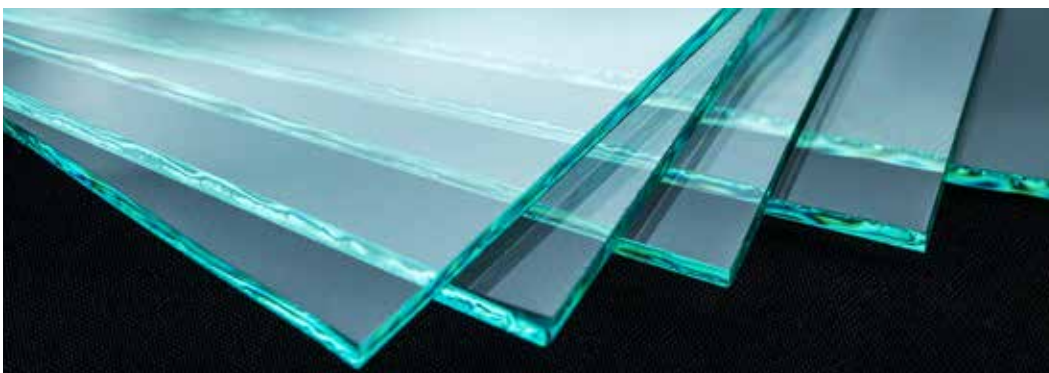
Finished in powder coated steel with a secure dual locking mechanism, this vandal resistant design is tailored specifically for locations subject to heavy usage or abuse.

Integrated cable channelling keeps the Digital Notice Board vandal-proof while allowing wires to travel to other areas securely.



TOUGHENED GLASS

VANDAL RESISTANT SCREEN



5mm thick reinforced glass shields the digital display and system components from harm caused by external forces.

STEEL ENCLOSURE

DESIGNED TO WITHSTAND HEAVY USAGE



Digital Notice Controllers are housed in robust casings finished in powder coated steel, with punch outs for mounting and cabling flexibility.

Enclosures are water and shock resistant due to the materials used for sealing and structural reinforcement.



▲ POWDER COATED STEEL ENCLOSURE

High security casing with punch outs for mounting and inserting cables.



▲ SECURITY LOCK

The enclosure locks securely to prevent unauthorised access.

USE DISPLAYS OF ANY SIZE

HDMI OUTPUT FOR YOUR OWN SCREENS



Utilise an existing third-party display with the Digital Notice Controller by simply connecting each device with a HDMI connection.

This flexible solution allows you to deliver multiple messages and bridge the communication gaps between employees and residents.

Then use your third-party screen to display messages created in the cloud-based portal.

CREATING YOUR MESSAGE



QUICK AND EASY TO SETUP USING SIMPLEKEY WEB

Using the cloud-based SimpleKey Web portal, you can deliver real time updates for clients, residents and staff by creating and managing notice messages. The user-friendly interface makes it simple to edit, update, and create notices that may be scheduled or published immediately.

CUSTOMISE YOUR MESSAGE

Choose from an ample selection of fonts and colours to suit your requirements.

SCHEDULE

Send your message to screen immediately or schedule it for display at a later time.

CREATE NOTICE MESSAGE

Message Name	<input type="text" value="Message Name"/>
Message Text Colour	<input type="text" value="Default"/>
Message Text Font	<input type="text" value="Default"/>
Message Title	<input type="text" value="Message Title"/>
Message Title Colour	<input type="text" value="Default"/>
Message Title Font	<input type="text" value="Default"/>
Message	<input type="text" value="Message"/>
Schedule and Expiry	<input checked="" type="radio"/> Display Now <input type="radio"/> Schedule <input type="radio"/> Message Expiry <input type="text" value="Time"/> <input type="text" value="Date"/>
Message Image or Video	<input checked="" type="radio"/> Image: GIF / JPG / PNG (recommended resolution: maximum 1920 x 1080 (landscape) or 1080 x 1920 (portrait)) <input type="radio"/> PDF / Word / Powerpoint / Excel (Maximum file size 10MB. Please note, only the first page of the document will be converted) <input type="radio"/> Powerpoint Animation exported to animated GIF. (Maximum file size 20MB) Upload your file here: <input type="text" value="Choose a file or drop it here..."/> <input type="button" value="Browse"/>
Timing Override	<input type="radio"/> Override default time. Maximum 3 minutes / 180 seconds <input type="text" value="Default 5 secs"/> seconds
Full Screen Override	<input type="radio"/> Expand message to full screen and hide all other graphic elements
Preview	<div style="border: 1px solid #ccc; height: 100px; width: 100%;"></div>

FULL SCREEN OVERRIDE

If you wish to maximise your visual impact you can select full screen mode for selected messages, videos and animations.

MEDIA TYPES

Choose from a selection of the most widely used graphic types such as JPG and PNG through to PDFs, Word files, and even Powerpoint animations.

TIMING

Display your message for up to 3 minutes to maximise exposure and impact.



SCHEDULING YOUR MESSAGE



PRIORITISE YOUR MESSAGES USING ONE SIMPLE PAGE

Easily control the order and duration of your messages, and alter other important aspects all together in one place.

VIEW ALL MESSAGES

Look at an overview of all messages, both current and past.

POSITION

Shows the current running order of messages on the board.

FULL SCREEN

Easily turn full screen mode on or off without having to fully edit your message.

MANAGE NOTICE MESSAGES: DAWES HOUSE

Show active messages Also include expired messages

Display Order	Message	Thumbnail	Full Screen Override	Display Time (secs)	Published
1	DOOR SECURITY Please make sure all communal doors are closed properly for your safety and security.		<input checked="" type="checkbox"/>	120	<input checked="" type="checkbox"/>
2	SMOKE ALARMS Should you have any problems please contact your housing team.		<input type="checkbox"/>	180	<input checked="" type="checkbox"/>
	FOBS The work on the new fob system will be completed on the 27/08/2022. Please contact 0800 561 0010 if you haven't received your new fobs.		<input type="checkbox"/>	90	<input type="checkbox"/>
3	GBC FIRE Please ensure you test your smoke alarms weekly. Should you have any issues please contact your Housing Team at the Estate office.		<input checked="" type="checkbox"/>	90	<input checked="" type="checkbox"/>
	GBC DOORS Please ensure all communal doors are closed properly for your added security.		<input type="checkbox"/>	Default	<input type="checkbox"/>
4	GBC LIFT Please note that the Lift is currently out of action. Contractors are on site correcting the problem. This should be on site by the end of the day.		<input type="checkbox"/>	120	<input checked="" type="checkbox"/>

ARRANGE / REARRANGE

Change the order of your messages either using the drag and drop interface or using the arrows.

TIMING

Override the default message duration with anything up to 3 minutes / 180 seconds.

PUBLISHED

See which messages have been published to the system and are currently active. You can add and remove messages from rotation here.



CUSTOM BACKGROUND, TEXT & GRAPHICS



EASILY ADD YOUR OWN IMAGES TO YOUR NOTICES

It's easy to customise your notices by selecting your own pictures, as shown opposite. Text may also be easily re-coloured where appropriate, and there are a choice of different fonts. CAME KMS offers a bespoke design service which can provide a consistent look and feel for every notice board and every notice message published by anyone without any graphic design experience.



PRESERVE YOUR CORPORATE IDENTITY



DISPLAY A UNIFIED LOOK ACROSS ALL OF YOUR NOTICE BOARDS

CAME KMS can pre-program your suite of DNCs and DNBs to default to a customised theme, meaning that it does not matter who creates your messages, they will always match, thus protecting your corporate identity. Contact customer support for full details.



SIMPLEKEY FILE TYPES

WORKING WITH DIFFERENT GRAPHIC FORMATS



SimpleKey Web's industry leading interface is fully compatible with all leading file types allowing you to easily customise your messages.

IMAGES



All common graphic filetypes can be loaded into the SimpleKey 4 web interface and used on your messages.

PDF & OFFICE CONVERSIONS (SINGLE PAGE)



SimpleKey 4 will convert PDFs and office files into images which can be used in your messages. *Please note: only the first page will be converted.*

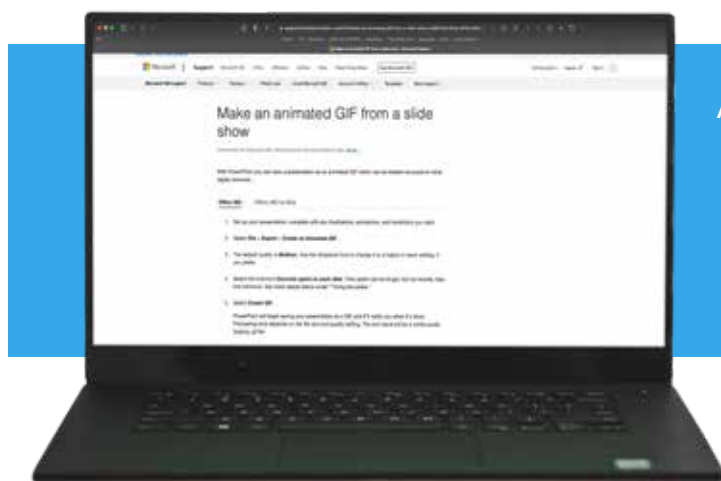
POWERPOINT ANIMATIONS



Export your corporate PowerPoint animations to animated GIFs



You can import PowerPoint slideshows by converting them to animated GIFs. By playing these in full screen mode you can fully customise the appearance of the screen.



Animated GIFs can run up to 180 seconds with a 20MB file limit.

Scan here for full instructions to turn your PowerPoint slideshow into an animated GIF.



MONITOR & PREVIEW

EVERYTHING IN ONE PLACE WITH SIMPLEKEY WEB



Create, preview, and monitor your noticeboard messages and announcements, all in one place.

▲ CREATING MESSAGES

Creating new messages only takes a few minutes with the easy to navigate interface.

NAME	STICKY	PUBLISHED	MESSAGE	PICTURE
Review of Tenants	✓	13/06/2023 11:04:05	Review of Tenants: the review finished on 17th June	
Review in Motion	✓	13/06/2023 11:04:05	CONGRATULATIONS TO THE RESIDENTS OF BLUE COURT FOR THEIR WINNING ENTRY IN THE 2023 JAN IN DESIGN COMPETITION	
Compliance Checks	✓	20/06/2023 20:46:34	PLEASE BE AWARE WE ARE CARRYING OUT GAS SAFETY CHECKS THIS WEEK	✓
Compliance Update	✓	13/06/2023 11:04:05	We will be carrying out safety checks with our partners over the next 3 weeks. If this is inconvenient, please contact your housing team.	
Congratulations	✓	13/06/2023 11:04:05	Well done to the 'Tenants in Motion' team for their excellent work.	
DIGITAL NOTICE BOARDS FROM HHS	✓	13/06/2023 11:04:05	DIGITAL NOTICE BOARDS FROM HHS	

▲ MONITOR MESSAGES

Monitoring messages and announcements is easy using SimpleKey Web.



▲ PREVIEW MESSAGES

You can easily preview your messages before making them live to ensure they are correct.

TENANT SATISFACTION MEASURES



HELPING YOU TO BE COMPLIANT WITH THE LATEST GOVERNMENT CHARTER

Social housing landlords will be subject to new levels of tenant accountability from April 2023, following the implementation of new rules by the UK Government. Tenant perception surveys are an important part of helping to fulfil these requirements and CAME KMS's Digital Noticeboards are the perfect way to deliver these messages. Links to the surveys can be easily added to on screen graphics, allowing tenants to scan and complete on their smartphone at their leisure. This ensures their answers remain private and confidential and means they don't have to physically interact with the screen.



DAY & NIGHT

OPTIMUM VIEWING COMFORT, WHATEVER THE HOUR



Pre-program day and night viewing routines. Set a time for the display to change from day to night mode. In night mode, your display theme will feature darker colours, making it easier and more comfortable for people to read.

PORTRAIT MODE

ROTATE YOUR SCREENS TO BEST FIT THE ENVIRONMENT



Some settings call for a different perspective, and that's where portrait mode comes in. Select between landscape and portrait modes when you are conducting your installation setup to ensure the screen displays correctly.

By default messages are set up horizontally, however the intuitive software will resize messages in to display in portrait mode once display setup has been chosen.



NEWSFEEDS

GIVE YOUR NOTICE A DYNAMIC LOOK WITH A SCROLLING NEWSFEED



Bring your digital notice board to life by adding scrolling news stories so residents can stay up to speed on what's going on outside their community.

Your digital notice board will display live updates from the BBC RSS feed. This can also be altered to a different RSS source if you would prefer.

Will my exams be different this year? **BBC News** How do I book my Covid jab and does it work against Om

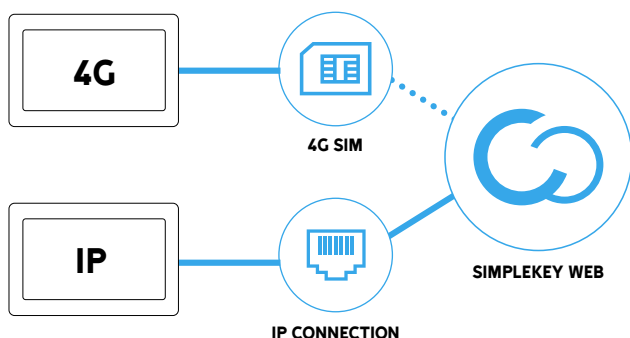
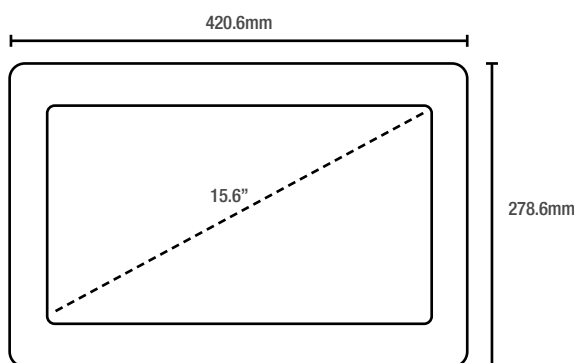


Digital notice board solution for residential settings and apartment blocks

The CAME KMS Digital Notice Board works in conjunction with the SimpleKey Web access control software, to provide residents with up to date messaging and advice.

- Supplied as a standalone product or as part of an overall CAME KMS SimpleKey system.
- Compatible with most types of SimpleKey on site equipment whether existing or new.
- Administration is via the SimpleKey Web interface and is accessible from any internet enabled device.
- Vandal Resistant wall mounted 15" toughened glass screen.
- Text and Images can be uploaded to a single, group or to all notice boards.
- Supports JPEG, PNG, GIF and WEBP image types
- Optional RSS feed giving live news updates.
- Robust British design, specifically for UK housing providers.

Dimensions (mm)



Technical characteristics

MODELS	DNB-IP	DNB-4G
Power input	12-14v DC	12-14v DC
Overall power consumption	≤25W	≤25W
Connectivity	Broadband	4G
Outputs	CAT5/6 network cable out to the client's broadband router or switch	4G antenna cable out to external elevation with mounted antenna
Case Material	Powered Coated Steel	Powered Coated Steel
Case Colour	Matte Black	Matte Black
Glass	Toughened Glass	Toughened Glass
Dimensions	420.6mm x 278.6mm x 49.5mm	420.6mm x 278.6mm x 49.5mm
Screen size	15.6"	15.6"
Max resolution	1920 x 1080	1920 x 1080
Display Area	344mm x 193mm	344mm x 193mm
Viewing Angle	89/89/89/89	89/89/89/89
Colour Brightness	16.7M	16.7M
Response time	6.5ms	6.5ms
Contrast Ratio	1500:1	1500:1
Brightness	250cd/m ²	250cd/m ²
Aspect Ratio	16:9	16:9
HDMI	X1	X1
Storage Temp (°C)	(-20 – 60)	(-20 – 60)
Operating temperature (°C)	(0 – 40)	(0 – 40)
Storage/Working Humidity	(10 – 90%)	(10 – 90%)
Display Fixings	9x fixings holes	9x fixings holes
Security	2x Barrel type locks, 1 either side	2x Barrel type locks, 1 either side
Cable Entry	Rear 40x40 cut out. 2x 20mm 'knockouts' for galvanised tube entry.	Rear 40x40 cut out. 2x 20mm 'knockouts' for galvanised tube entry.
IP rating	IP30	IP30
IK Rating	IK07	IK07

DIGITAL NOTICE BOARD KIT SELECTOR

All kits supplied with Electronic Notice Board, steel enclosure, 12V PSU, power cable, security keys and accessories and stickers pack. [Simply choose the selectable items listed in the chart below and follow the line across for your kit code.](#)



Notice Board	Power Cable	Keys	Accessories	Communications	Kit Code
--------------	-------------	------	-------------	----------------	----------



KIT CONTENTS

Digital Notice Board

- Electronic Notice Board in Steel Enclosure
- External 12V power adapter
- Multi Comms Module & Antenna (4G version only)
- SIM Card (4G version only)
- Security keys
- Set of accessories and stickers
- Full Instruction Manual and Setup Guide

DIGITAL NOTICE BOARD - THE FULL RANGE



Code	Description
Digital Notice Board Kit Items	
	Electronic Notice Board in Steel Enclosure with 12V PSU With built in IP Communications module
	Electronic Notice Board in Steel Enclosure with 12V PSU With built in 4G Communications module and aerial
	Power Cable
	Security Keys

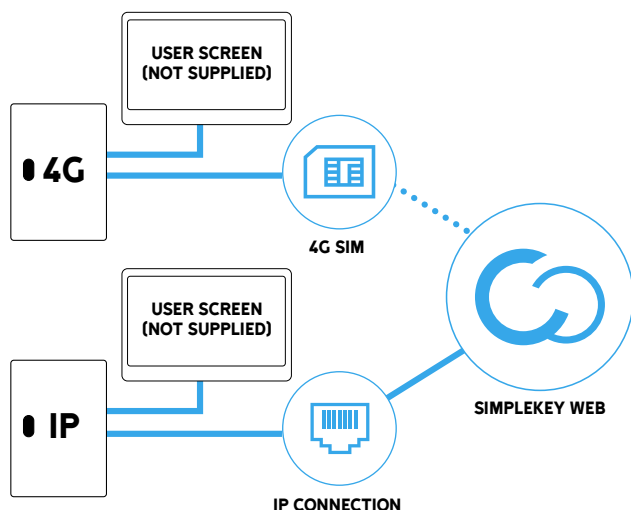




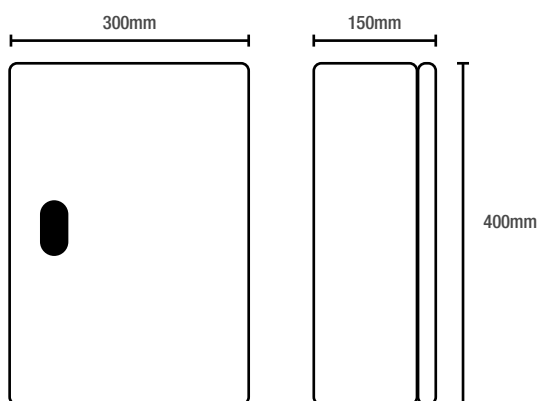
Digital notice board controller for residential settings and apartment blocks, for connecting to your own screen

The CAME KMS Digital Notice Board Controller works in conjunction with the SimpleKey Web access control software, to provide residents with up to date messaging and advice. As the controller can work with any external screen (not supplied) using a HDMI or VGA connector, the display can be as large as required for maximum visibility and impact.

- Supplied as a standalone product or as part of an overall CAME KMS SimpleKey system.
- Compatible with most types of SimpleKey on site equipment whether existing or new.
- Administration is via the SimpleKey Web interface and is accessible from any internet enabled device.
- Text and Images can be uploaded to a single, group or to all notice boards.
- Supports JPEG, PNG, GIF and WEBP image types
- Optional RSS feed giving live news updates.
- Robust British design, specifically for UK housing providers.



Dimensions (mm)



PLEASE NOTE: One HDMI output is provided with the digital notice controller. Additional HDMI splitters can be used but this is not the responsibility of the manufacturer (CAME KMS).

Technical characteristics

MODELS	DNC-IP	DNC-4G
Power input	12-14v DC	12-14v DC
Overall power consumption	≤25W	≤25W
Connectivity	Broadband	4G
Outputs	CAT5/6 network cable out to the client's broadband router or switch	4G antenna cable out to external elevation with mounted antenna
Case Material	Powered Coated Steel	Powered Coated Steel
Dimensions	400mm x 300mm x 150mm	400mm x 300mm x 150mm
Max resolution	1920 x 1080	1920 x 1080
Colour Brightness	16.7M	16.7M
Response time	6.5ms	6.5ms
Contrast Ratio	1500:1	1500:1
Brightness	250cd/m ²	250cd/m ²
Aspect Ratio	16:9	16:9
HDMI	X1	X1
Storage Temp (°C)	(-20 – 60)	(-20 – 60)
Operating temperature (°C)	(0 – 40)	(0 – 40)
Storage/Working Humidity	(10 – 90%)	(10 – 90%)
Fixings	4x fixing holes	4x fixing holes
Security	1x locks, on front. 2 x keys provided.	1x locks, on front. 2 x keys provided.
Cable Entry	Removable cable gland plate	Removable cable gland plate
IP rating	IP66	IP66

DIGITAL NOTICE CONTROLLER KIT SELECTOR

All kits supplied with steel enclosure, built in power adaptor, security keys and accessories and stickers pack. [Simply choose the selectable items listed in the chart below and follow the line across for your kit code.](#)



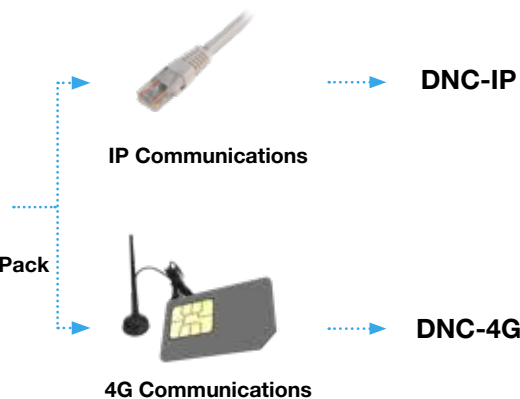
Notice Board	Keys	Accessories	Communications	Kit Code
--------------	------	-------------	----------------	----------



+



+



KIT CONTENTS

Digital Notice Board Controller

- Steel Enclosure with Hinged Door
- Built-in power adapter
- Multi Comms Module & Antenna (4G version only)
- SIM Card (4G version only)
- Security keys x 2
- Set of accessories and stickers
- Full Instruction Manual and Setup Guide

DIGITAL NOTICE CONTROLLER - THE FULL RANGE



Code	Description
Digital Notice Board Kit Items	
	Electronic Notice Board Controller in Steel Enclosure with 12V PSU With built in IP Communications module
	Electronic Notice Board Controller in Steel Enclosure with 12V PSU With built in 4G Communications module and aerial
	Security Keys



CAME KMS

1 Marlborough Trading Estate
West Wycombe Road
High Wycombe
Buckinghamshire
HP11 2LB

Tel: 01494 531099



© DNBCAT0323 - 2023 - EN
YOU MAY NOT EVEN PARTIALLY REPRODUCE THIS DOCUMENT
CAME RESERVES THE RIGHT TO MAKE ANY CHANGES TO THIS DOCUMENT AT ANY TIME
THE DATA AND INFORMATION SHOWN IN THIS CATALOGUE ARE SUBJECT TO CHANGE WITHOUT OBLIGATION TO GIVE PRIOR NOTICE BY CAME S.P.A, E&OE



CAME S.p.A.
Came cancelli automatici S.p.A.
is certified for Quality and Environment
UNI EN ISO 9001
UNI EN ISO 14001
BS OHSAS 18001

